

## OUTSIDE FROST THERMOSTATS

## EOF..

EOF thermostats are used to monitor temperature outside buildings and switch heating/cooling or other units in the event of high/low temperatures. The EOF-01 is a single function unit and the EOF-21 is a dual function unit which has 2 separate thermostats inside one enclosure.

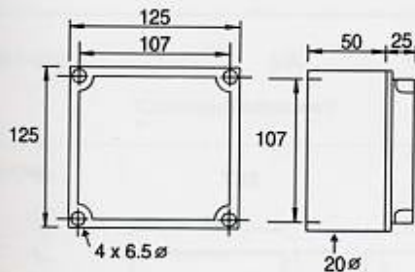


Adjustment under the cover on all models  
Enclosure Flammability = UL94-V2  
EOF-01 is single function  
EOF-21 is dual function  
(2 thermostats inside one enclosure)

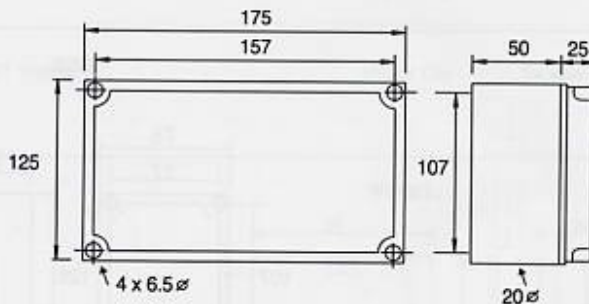
Type	Range °C	Diff. °C	230VAC SPDT	Sensing Element	Max. Ambient °C	Enclosure
EOF-01	-20/+30	1	10(3)A	Bimetal	60	IP65
EOF-21	-20/+30 & -20/+30	1	2x10(3)A	Bimetal	60	IP65

## DIMENSIONS:

EOF-01

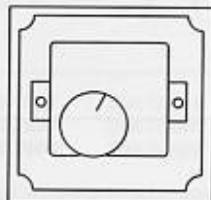


EOF-21

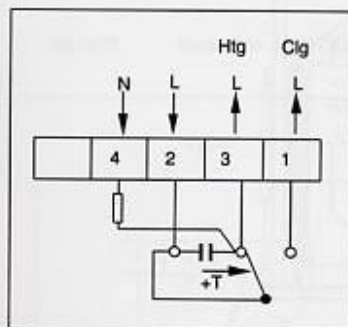
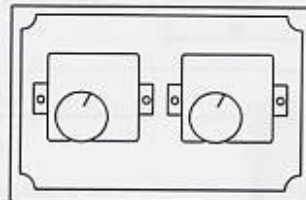


## WIRING:

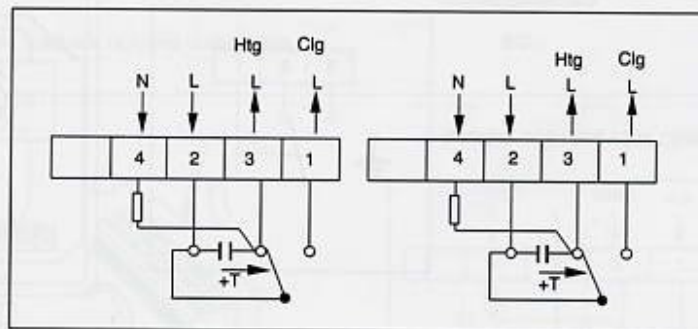
EOF-01



EOF-21



On temperature rise 2-1 close  
On temperature fall 2-3 close



On temperature rise 2-1 close  
On temperature fall 2-3 close

## INSTALLATION:

Outside Thermostats & Sensors which are used for frost protection should be mounted on the North side of the building. If this is not possible, shield the sensor from direct sunlight.